



aerospace  
climate control  
electromechanical  
filtration  
fluid & gas handling  
**hydraulics**  
pneumatics  
process control  
sealing & shielding



## Air Oil Coolers

LHC with Hydraulic Motor for Mobile and Industrial Use



ENGINEERING YOUR SUCCESS.



The Olaer Group is part of Parker Hannifin since July 1st, 2012. With manufacturing and sales in 14 countries in North America, Asia and Europe, the Olaer Group expands Parker's presence in geographic growth areas and offers expertise in hydraulic accumulator and cooling systems for target growth markets such as oil and gas, power generation and renewable energy.

# LHC Air Oil Coolers

For mobile and industrial use - maximum cooling capacity 300 kW

The LHC air oil cooler with hydraulic motor is optimized for use in the mobile and industrial sector. Together with a wide range of accessories, the LHC cooler is suitable for installation in most applications and environments. The maximum cooling capacity is 300 kW at ETD 40 °C. Choosing the right cooler requires precise sizing. The most reliable way to size is with the aid of our calculation program. This program, together with precise evaluations from our experienced, skilled engineers, gives you the opportunity for more cooling per € invested.

### Overheating - an expensive problem

An under-sized cooling capacity produces a temperature

balance that is too high. The consequences are poor lubricating properties, internal leakage, a higher risk of cavitation, damaged components, etc. Overheating leads to a significant drop in cost-efficiency and environmental consideration.

### Temperature optimisation - a basic prerequisite for cost-efficient operation

Temperature balance in a hydraulic system occurs when the cooler can cool down the energy input that the system does not consume - the system's lost energy:

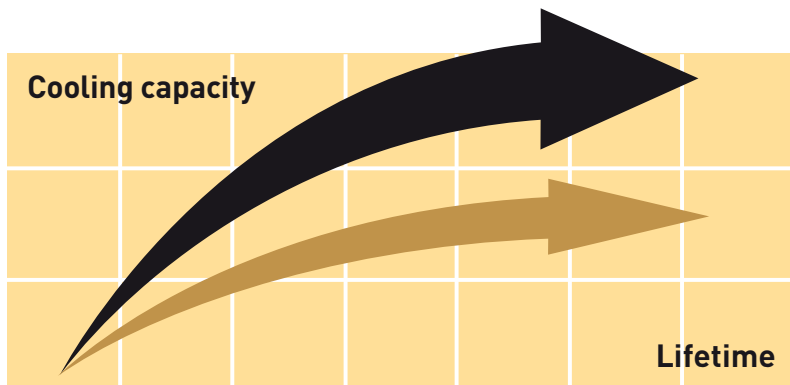
$$(P_{loss} = P_{cool} = P_{in} - P_{used}).$$

Temperature optimisation means that temperature balance occurs at the system's ideal working temperature - the temperature at which the oil's

viscosity and the air content comply with recommended values.

### The correct working temperature produces a number of economic and environmental benefits:

- The hydraulic system's useful life is extended.
- The oil's useful life is extended.
- The hydraulic system's availability increases – more operating time and fewer shutdowns.
- Service and repair costs are reduced.
- High efficiency level maintained in continuous operation – the system's efficiency falls if the temperature exceeds the ideal working temperature.



Clever design and the right choice of materials and components produce a long useful life, high availability and low service and maintenance costs.

Compact design and low weight.

Easy to maintain and easy to retrofit in many applications.



Hydraulic motor with displacement from 8.4 cm<sup>3</sup>/r to 25.2 cm<sup>3</sup>/r.

Collar bearing for fan motor on larger models provides longer useful life.

Quiet fan and fan motor.

Cooler matrix with low pressure drop and high cooling capacity.

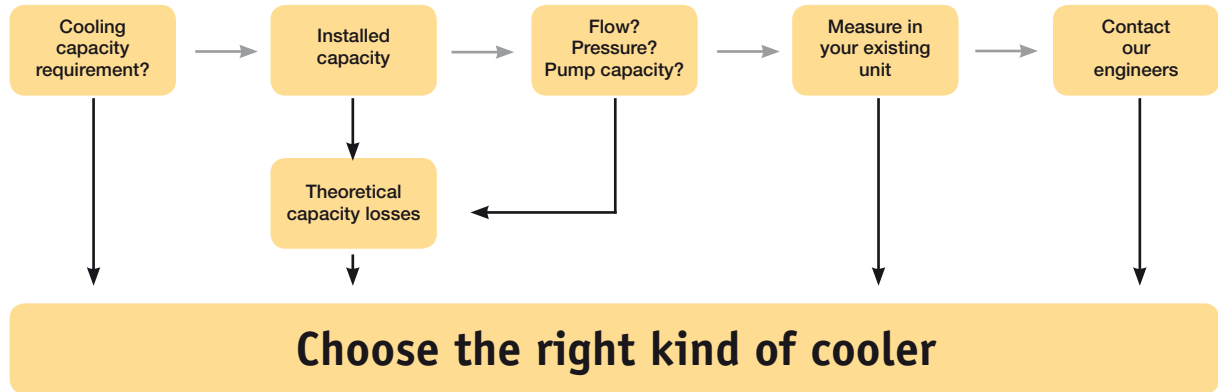
## LHC-M and LHC-X

LHC air oil coolers are also available in two special versions, LHC-X (ATEX version), approved

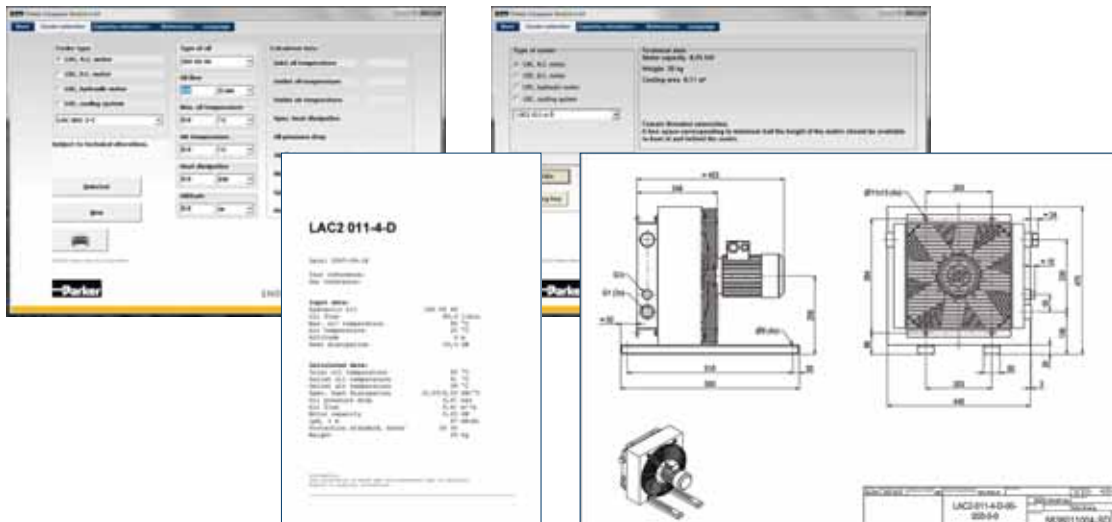
for applications where there may be an explosive environment above ground, and LHC-M,

adapted to be able better to deal with corrosion attacks, for example in marine environments.

# Calculate the Cooling Capacity Requirement



Enter your values ....



... suggested solution





Better energy consumption means not only less environmental impact, but also reduces operating costs, i.e. more cooling per € invested.

## More Cooling per €

with precise calculations and our engineers' support

Optimal sizing produces efficient cooling. Correct sizing requires knowledge and experience. Our calculation program, combined with our engineers' support, gives you access to this very knowledge and experience. The result is more cooling per € invested. The user-friendly calculation program can be downloaded from [www.olaer.se](http://www.olaer.se)

### Valuable system review into the bargain

A more wide-ranging review of

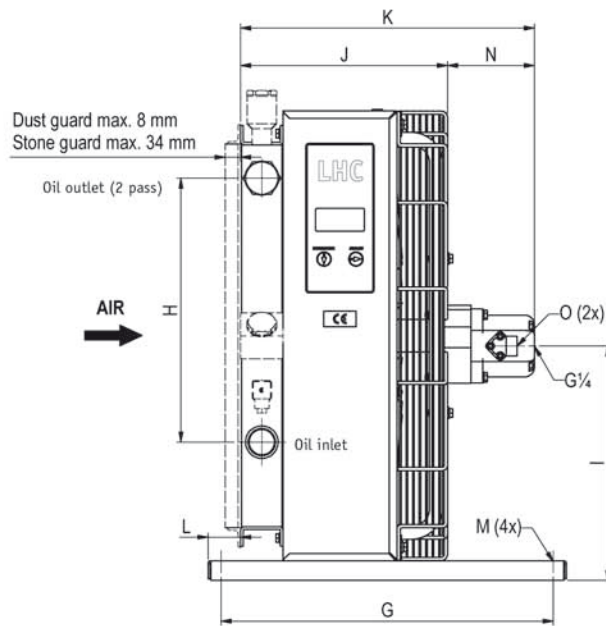
the hydraulic system is often a natural element of cooling calculations. Other potential system improvements can then be discussed – e.g. filtering, offline or online cooling, etc. Contact us for further guidance and information.

### Parker Hannifin's quality and performance guarantee insurance for your operations and systems

A constant striving towards more cost-efficient and environment friendly hydraulic systems

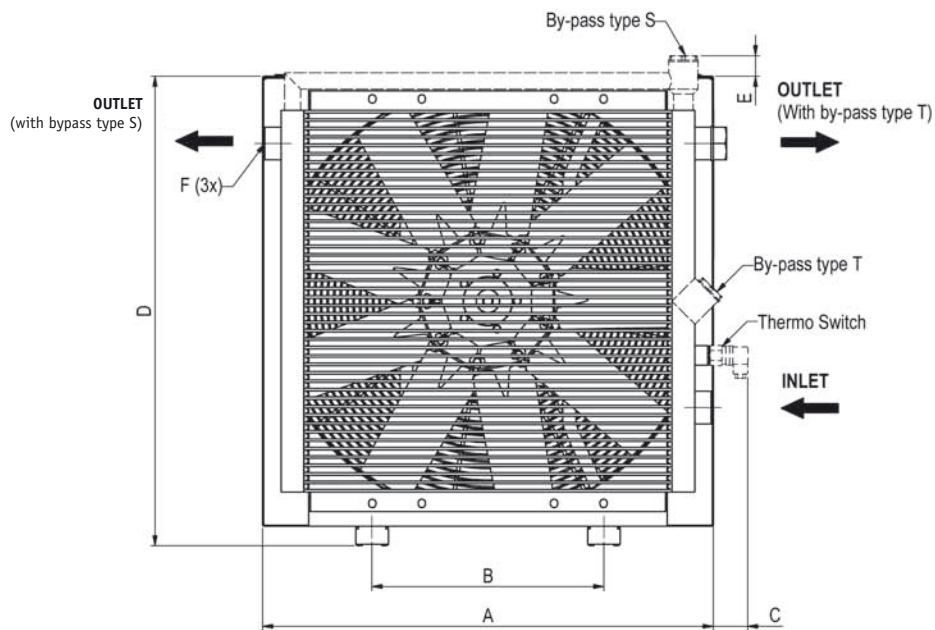
requires continuous development. Areas where we are continuously seeking to improve performance include cooling capacity, noise level, pressure drop and fatigue. Meticulous quality and performance tests are conducted in our laboratory. All tests and measurements take place in accordance with standardised methods - cooling capacity in accordance with EN1048, noise level ISO 3743, pressure drop EN 1048 and fatigue ISO 10771-1.





TYPE	Fan speed rpm	Fan capacity kW	Weight kg (approx)	Max fan speed rpm @ 40 °C	Acoustic pressure level LpA dB(A) 1m*
LHC2 007	1500	0.10	10	3500	62
	3000	0.65	10	3500	79
LHC2 011	1500	0.20	15	3500	67
	3000	1.50	15	3500	82
LHC2 016	1000	0.10	18	3500	60
	1500	0.35	18	3500	70
	3000	2.50	18	3500	86
LHC2 023	1000	0.15	30	3500	64
	1500	0.50	30	3500	76
LHC 033	1000	0.65	40	2900	75
	1500	2.00	40	2900	85
LHC 044	1000	0.70	56	2900	77
	1500	2.00	56	2900	86
LHC 056	750	0.75	70	2400	74
	1000	1.80	70	2400	82
LHC 058	750	0.75	77	2400	75
	1000	1.80	77	2400	83
LHC 076	750	0.70	105	2200	80
	1000	1.60	105	2200	87
LHC 078	750	0.70	111	2200	81
	1000	1.60	111	2200	88
LHC 110	750	1.70	117	1900	85
	1000	4.00	117	1900	91
LHC 112	750	1.70	125	1900	86
	1000	4.00	125	1900	92
LHC 113	750	1.70	184	2400	87
	1000	4.00	184	2400	93
LHC 200	Please contact Parker for more information				

\* = Noise level tolerance  $\pm 3$  dB(A).

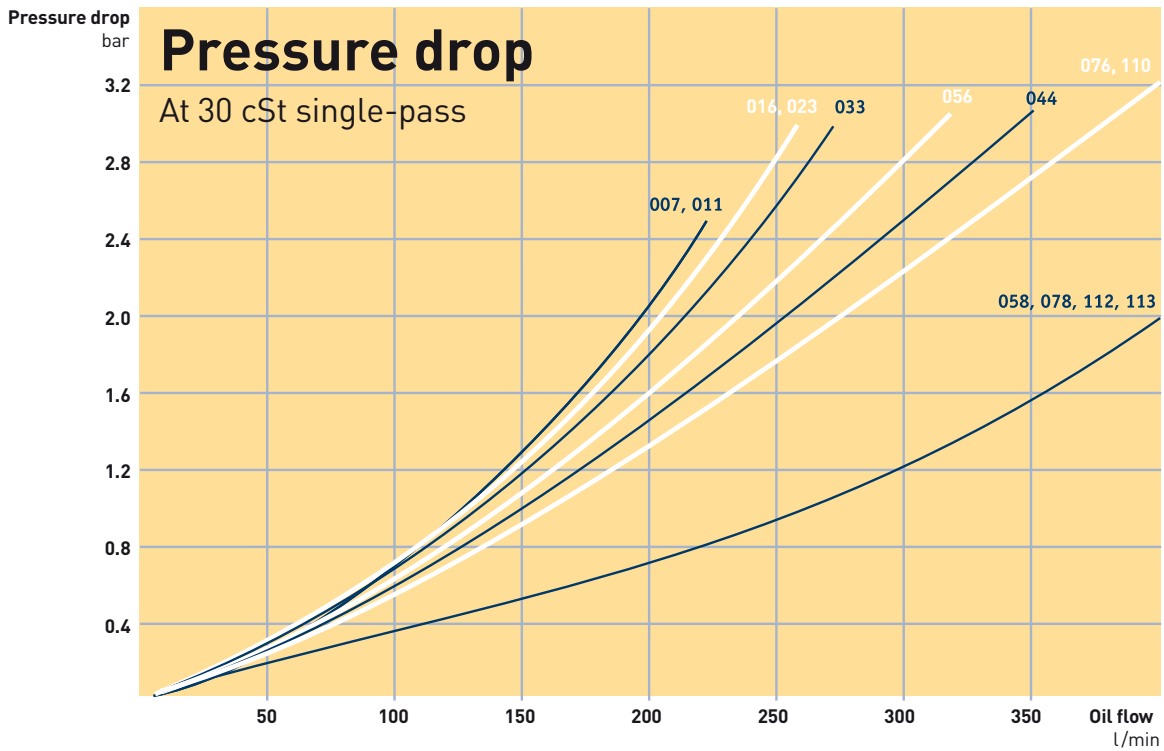


TYPE	A	B	C	D	E	F	G	H	I	J	K	L	Mø
LHC2 007	365	203	64	395	42	G1	510	160	197	225	J+N	50	9
LHC2 011	440	203	62	470	41	G1	510	230	234	249	J+N	50	9
LHC2 016	496	203	66	526	46	G1	510	230	262	272	J+N	50	9
LHC2 023	580	356	44	610	44	G1	510	305	304	287	J+N	50	9
LHC 033	692	356	42	722	42	G1¼	510	406	360	318	J+N	50	9
LHC 044	692	356	59	866	59	G1¼	510	584	432	343	J+N	50	9
LHC 056	868	508	49	898	43	G1¼	510	584	448	368	J+N	50	9
LHC 058	868	508	49	898	43	G2	510	584	448	388	J+N	30	9
LHC 076	1022	518	41	1052	45	G1½	610	821	525	393	J+N	70	14
LHC 078	1022	518	41	1052	45	G2	610	821	525	413	J+N	50	14
LHC 110	1185	600	54	1215	45	G2	610	985	607	418	J+N	70	14
LHC 112	1185	600	54	1215	45	G2	610	985	607	438	J+N	50	14
LHC 113	1200	600	82	1215	45	G2	610	985	607	485	J+N	132	14

MOTOR	Displacement cm <sup>3</sup> /r	N LHC2 007 – LHC2 023	N LHC 033 – LHC 112	O Angular 90° connection	Max. working pressure bar
A	8.4	91	133	G½	250
B	10.8	98	138	G½	250
C	14.4	101	144	G½	250
D	16.8	105	148	G¾	250
E	19.2	110	151	G¾	250
F	25.2	120	165	G¾	250



The cooling capacity curves are based on the inlet oil temperature and the ambient air temperature. An oil temperature of 60 °C and an air temperature of 20 °C produce a temperature difference of 40 °C. Multiply by kW/°C for total cooling capacity.

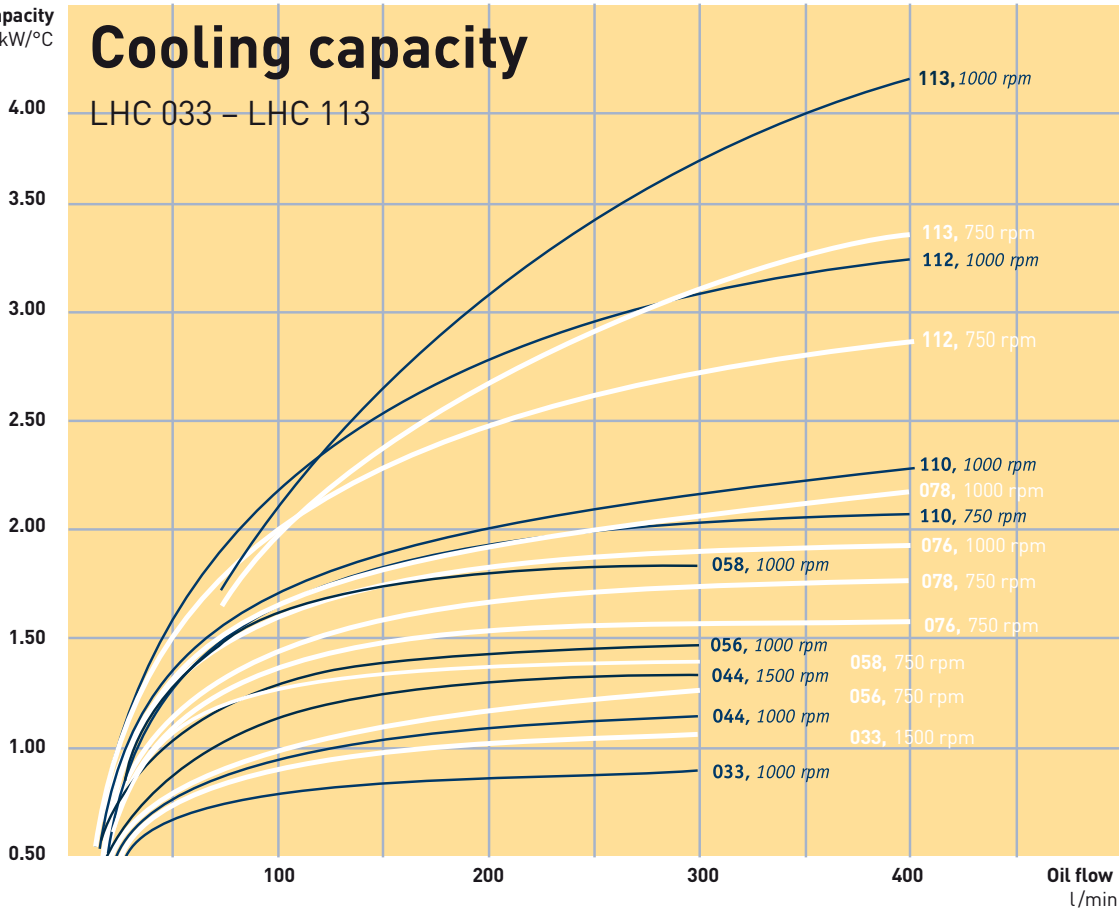




Cooling capacity  
kW/°C

# Cooling capacity

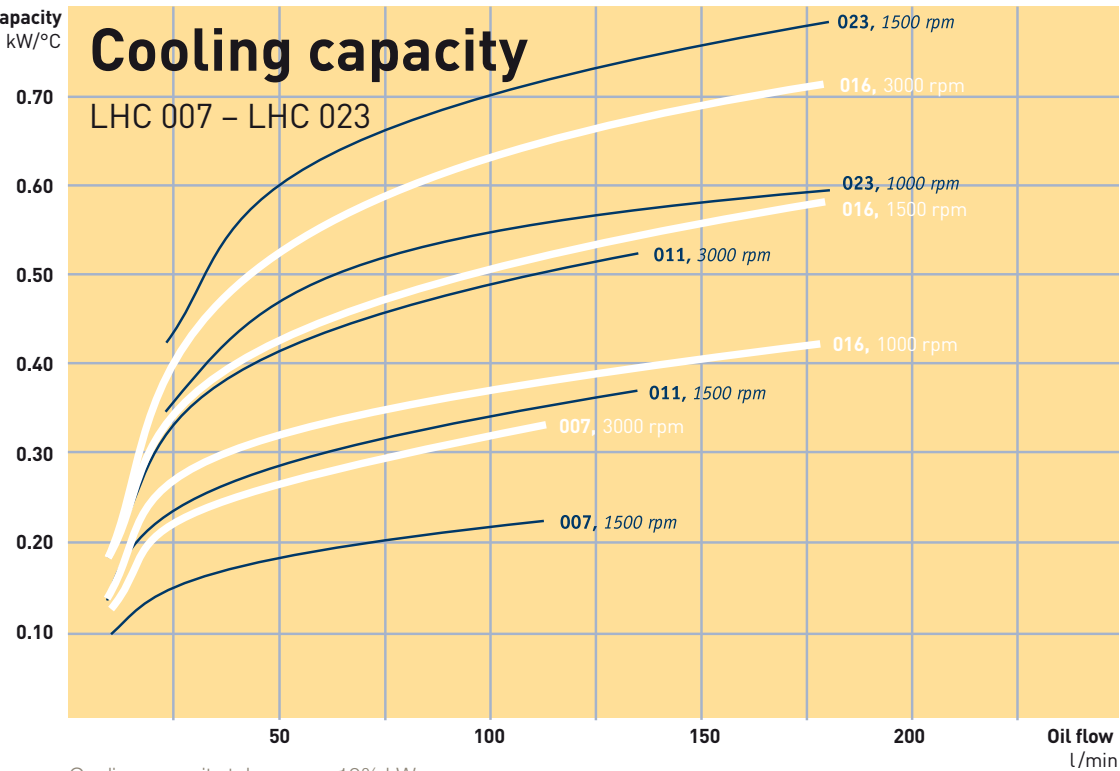
LHC 033 – LHC 113



Cooling capacity  
kW/°C

# Cooling capacity

LHC 007 – LHC 023



Cooling capacity tolerance  $\pm$  10% kW.



# Key for LHC/LHC2 Air Oil Coolers

All positions must be filled in when ordering

EXAMPLE: LHC2 - 016 - B - 50 - S20 - S - Z  
 1 2 3 4 5 6 7

## 1. AIR OIL COOLER WITH HYDRAULIC MOTOR = LHC / LHC2

### 2. COOLER SIZE

007, 011, 016, 023, 033, 044, 056, 058, 076, 078, 110, 112 and 113.

### 3. HYDRAULIC MOTOR, DISPLACEMENT

No hydraulic motor	= O
Displacement 8.4 cm <sup>3</sup> /r	= A
Displacement 10.8 cm <sup>3</sup> /r	= B
Displacement 14.4 cm <sup>3</sup> /r	= C
Displacement 16.8 cm <sup>3</sup> /r	= D
Displacement 19.2 cm <sup>3</sup> /r	= E
Displacement 25.2 cm <sup>3</sup> /r	= F
Special	= X

(X: pressure, displacement, installation sizes, etc. must be stated in plain language)

### 4. THERMO CONTACT

No thermo contact	= 00
40 °C	= 40
50 °C	= 50
60 °C	= 60
70 °C	= 70
80 °C	= 80
90 °C	= 90

### 5. COOLER MATRIX

Standard	= 000
Two-pass	= T00
<b>Built-in, pressure-controlled bypass, single-pass</b>	
2 bar	= S20
5 bar	= S50
8 bar	= S80
<b>Built-in, pressure-controlled bypass, two-pass*</b>	
2 bar	= T20
5 bar	= T50
8 bar	= T80
<b>Built-in temperature and pressure-controlled bypass, single-pass</b>	
50 °C, 2.2 bar	= S25
60 °C, 2.2 bar	= S26
70 °C, 2.2 bar	= S27
90 °C, 2.2 bar	= S29

### Built-in temperature and pressure-controlled bypass, two-pass\*

50 °C, 2.2 bar	= T25
60 °C, 2.2 bar	= T26
70 °C, 2.2 bar	= T27
90 °C, 2.2 bar	= T29

### 6. MATRIX GUARD

No guard	= 0
Stone guard	= S
Dust guard	= D
Dust and stone guard	= P

### 7. STANDARD/SPECIAL

Standard	= O
Special	= Z

## TECHNICAL SPECIFICATION

### FLUID COMBINATIONS

Mineral oil	HL/HLP in accordance with DIN 51524
Oil/water emulsion	HFA, HFB in accordance with CETOP RP 77H
Water glycol	HFC in accordance with CETOP RP 77H
Phosphate ester	HFD-R in accordance with CETOP RP 77H

### MATERIAL

Cooler matrix	Aluminum
Fan blades/hub	Glass fibre reinforced polypropylene/Aluminum
Fan housing	Steel
Fan guard	Steel
Other parts	Steel
Surface treatment	Electrostatically powder-coated

### COOLER MATRIX

Maximum static operating pressure	21 bar
Dynamic operating pressure	14 bar*
Heat transfer limit	± 6 %
Maximum oil inlet temperature	120 °C

\* Tested in accordance with ISO/DIS 10771-1

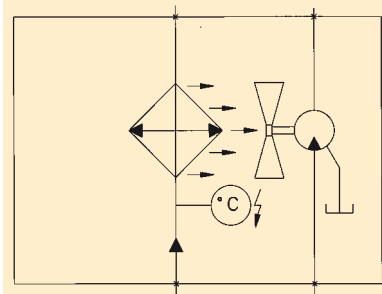
### COOLING CAPACITY CURVES

The cooling capacity curves in this technical data sheet are based on tests in accordance with EN 1048 and have been produced using oil type ISO VG 46 at 60 °C.

### CONTACT PARKER HANNIFIN FOR ADVICE ON

- Oil temperatures > 120 °C
- Oil viscosity > 100 cSt
- Aggressive environments
- Ambient air rich in particles
- High-altitude locations

### CONNECTION CHART



Connection chart for LHC air oil cooler.

The information in this brochure is subject to change without prior notice.



With our specialist expertise, industry knowledge and advanced technology, we can offer a range of different solutions for coolers and accessories to meet your requirements.

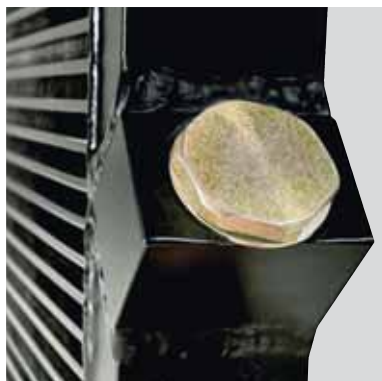
## Take the Next Step

- choose the right accessories

Supplementing a hydraulic system with a cooler, cooler accessories and an accumulator gives you increased availability and a longer useful life, as well

as lower service and repair costs. All applications and operating environments are unique. A well-planned choice of the following accessories can thus further

improve your hydraulic system. Please contact Parker Hannifin for guidance and information.



### **Pressure-controlled bypass valve *Integrated***

Allows the oil to bypass the cooler matrix if the pressure drop is too high. Reduces the risk of the cooler bursting, e.g. in connection with cold starts and temporary peaks in pressure or flow. Available for single-pass or two-pass matrix design.



### **Thermo contact**

Sensor with fixed set point, for temperature warnings. Can be used for more cost-efficient operation and better environmental consideration through the automatic control of the fan motor, either on or off.



### **Temperature-controlled bypass valve *Integrated***

Allows the oil to bypass the cooler matrix if the pressure drop is higher than 2,2 bar or less than the chosen temperature. The bypass closes when the oil temperature increases. Different closing temperatures available. Available for singlepass or two-pass matrix design



### **Lifting eyes**

For simple installation and relocation.



### **Temperature-controlled 3-way valve *External***

Same function as the temperature-controlled bypass valve, but positioned externally.

*Note: must be ordered separately.*



### **Stone guard/Dust guard**

Protects components and systems from tough conditions.



# Parker Worldwide

## Europe, Middle East, Africa

**AE – United Arab Emirates,**  
Dubai

Tel: +971 4 8127100  
parker.me@parker.com

**AT – Austria,** Wiener Neustadt

Tel: +43 (0)2622 23501-0  
parker.austria@parker.com

**AT – Eastern Europe,** Wiener  
Neustadt

Tel: +43 (0)2622 23501 900  
parker.easteurope@parker.com

**AZ – Azerbaijan,** Baku

Tel: +994 50 22 33 458  
parker.azerbaijan@parker.com

**BE/LU – Belgium,** Nivelles

Tel: +32 (0)67 280 900  
parker.belgium@parker.com

**BY – Belarus,** Minsk

Tel: +375 17 209 9399  
parker.belarus@parker.com

**CH – Switzerland,** Etoy

Tel: +41 (0)21 821 87 00  
parker.switzerland@parker.com

**CZ – Czech Republic,** Klecany

Tel: +420 284 083 111  
parker.czechrepublic@parker.com

**DE – Germany,** Kaarst

Tel: +49 (0)2131 4016 0  
parker.germany@parker.com

**DK – Denmark,** Ballerup

Tel: +45 43 56 04 00  
parker.denmark@parker.com

**ES – Spain,** Madrid

Tel: +34 902 330 001  
parker.spain@parker.com

**FI – Finland,** Vantaa

Tel: +358 (0)20 753 2500  
parker.finland@parker.com

**FR – France,** Contamine s/Arve

Tel: +33 (0)4 50 25 80 25  
parker.france@parker.com

**GR – Greece,** Athens

Tel: +30 210 933 6450  
parker.greece@parker.com

**HU – Hungary,** Budaoers

Tel: +36 23 885 470  
parker.hungary@parker.com

**IE – Ireland,** Dublin

Tel: +353 (0)1 466 6370  
parker.ireland@parker.com

**IT – Italy,** Corsico (MI)

Tel: +39 02 45 19 21  
parker.italy@parker.com

**KZ – Kazakhstan,** Almaty

Tel: +7 7273 561 000  
parker.easteurope@parker.com

**NL – The Netherlands,** Oldenzaal

Tel: +31 (0)541 585 000  
parker.nl@parker.com

**NO – Norway,** Asker

Tel: +47 66 75 34 00  
parker.norway@parker.com

**PL – Poland,** Warsaw

Tel: +48 (0)22 573 24 00  
parker.poland@parker.com

**PT – Portugal,** Leca da Palmeira

Tel: +351 22 999 7360  
parker.portugal@parker.com

**RO – Romania,** Bucharest

Tel: +40 21 252 1382  
parker.romania@parker.com

**RU – Russia,** Moscow

Tel: +7 495 645-2156  
parker.russia@parker.com

**SE – Sweden,** Spånga

Tel: +46 (0)8 59 79 50 00  
parker.sweden@parker.com

**SK – Slovakia,** Banská Bystrica

Tel: +421 484 162 252  
parker.slovakia@parker.com

**SL – Slovenia,** Novo Mesto

Tel: +386 7 337 6650  
parker.slovenia@parker.com

**TR – Turkey,** Istanbul

Tel: +90 216 4997081  
parker.turkey@parker.com

**UA – Ukraine,** Kiev

Tel: +380 44 494 2731  
parker.ukraine@parker.com

**UK – United Kingdom,** Warwick

Tel: +44 (0)1926 317 878  
parker.uk@parker.com

**ZA – South Africa,** Kempton Park

Tel: +27 (0)11 961 0700  
parker.southafrica@parker.com

## North America

**CA – Canada,** Milton, Ontario

Tel: +1 905 693 3000

**US – USA,** Cleveland

(industrial)  
Tel: +1 216 896 3000

**US – USA,** Elk Grove Village

(mobile)  
Tel: +1 847 258 6200

## Asia Pacific

**AU – Australia,** Castle Hill

Tel: +61 (0)2-9634 7777

**CN – China,** Shanghai

Tel: +86 21 2899 5000

**HK – Hong Kong**

Tel: +852 2428 8008

**IN – India,** Mumbai

Tel: +91 22 6513 7081-85

**JP – Japan,** Fujisawa

Tel: +81 (0)4 6635 3050

**KR – South Korea,** Seoul

Tel: +82 2 559 0400

**MY – Malaysia,** Shah Alam

Tel: +60 3 7849 0800

**NZ – New Zealand,** Mt Wellington

Tel: +64 9 574 1744

**SG – Singapore**

Tel: +65 6887 6300

**TH – Thailand,** Bangkok

Tel: +662 717 8140

**TW – Taiwan,** Taipei

Tel: +886 2 2298 8987

## South America

**AR – Argentina,** Buenos Aires

Tel: +54 3327 44 4129

**BR – Brazil,** Cachoeirinha RS

Tel: +55 51 3470 9144

**CL – Chile,** Santiago

Tel: +56 2 623 1216

**MX – Mexico,** Apodaca

Tel: +52 81 8156 6000

Ed. 2012-10-02

### EMEA Product Information Centre

Free phone: 00 800 27 27 5374

(from AT, BE, CH, CZ, DE, DK, EE, ES, FI, FR, IE, IL,  
IS, IT, LU, MT, NL, NO, PL, PT, RU, SE, SK, UK, ZA)

### US Product Information Centre

Toll-free number: 1-800-27 27 537

www.parker.com

